

Technology of professionals

Labelling-machine with digital control

Champagne / Dual



The SELENA labelling-machine is the successful outcome of 20 years of research in the area of adhesive labelling. Electronic controls plus electronically guided adjustments, makes it the ideal machine for complex labelling with a simplification in practical terms and an unequalled precision.

CHAMPAGNE CAPPING ON ASSEMBLY LINE & ALBAGNAC CHAMPAGNE CAPPING HEAD

- Electronic setting height adjustment
- ALBAGNAC pre-pleating bag and smoothing bag
- Possibility of capping on narrow bottle-necks
- Possibility of mixed capping (sparkling-wine & still-wine)
- Mechanical sinker

SPARKLING-WINE CAPS-DISPENSER

- Large capacity slanting magazine
- Interchangeable container for all types of sparkling-wine caps types
- Pneumatique caps ejector (jack) inside container
- Electronic distribution height adjustment
- Millimetric sparkling wine caps length adjustment
- Possibility of mixed dispensing for still-wine caps and sparkling-wine caps

BOTTLE TRANSFER

Interchangeable central star permitting the application of the combination of dispensing, orientation, capping and labelling operations off the production line.

- Electronic control of bottle supply

BOTTLE-BLOCKAGE

Bottle-blockage in a star with 8 sockets guarantees their immobilization during transfer between the machine's different sections.

BOTTLE ORIENTATION

- Optical orientation of sparkling-wine cap before capping
- Optical orientation before labelling
- Mechanical orientation from the bottle underside

ELECTRONIC SPEED VARIATION

- Rate variation from 800 to 1800 bottles per hour.



CONTROL BOARD

The control board with digital display permits, apart from an extreme simplification in adjustments, the memorization of data relating to each labelling type. The programme's digital functioning with optic coder guarantees a long-lasting reliability in attachment precision. It incorporates a bottle counter-reverse counter, and a labelling stop at the end of label reels.



BACK LABELLING AND MEDALLION LABEL STATION

- Machines with independent motorization driven by a specific electronic system guaranteeing label / bottle synchronization
- Automatic control of label widths by fibre optics
- Electronic attachment height adjustment
- Angular machine adjustment for conical bottles (option)

DUAL STATION FOR STANDARD AND CHAMPAGNE NECK COLLAR



Our technique of front-label placement with stationary bottle assures an unequalled precision, despite the bottle-neck's conical shape.

- Electronic attachment height adjustment
- Angular machine adjustment



CODA 4025 - CODER WITH THERMAL TRANSFER



Printing surface area 40 mm x 25 mm. Light and effective, the CODA 4025 makes possible transfer of batch numbers, expiry dates, vintages and logos, on all types of labels.

- Ribbon 153 meters
- Temperature regulation
- Pigmented ribbon saving device
- Capacity of ribbon transfer : 153 m x 40 mm

CASE LOT NUMBER BY INCISION



Functions without ink or ribbon, by incision of the paper with brass characters or numbered barrel. Simple and with no upkeep necessary, it's the ideal system for batch number marking.

- With numbered barrel 6 characters of 2,5 mm (for special barrels, consult us)

REPIQUAGE DES ÉTIQUETTES PAR TRANSFERT THERMIQUE



Computer-controlled system of printing by integrated thermal transfer.

- Reserve of already printed labels
- 300 dpi (12 dot)

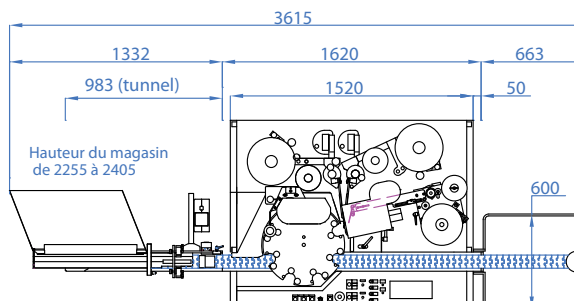
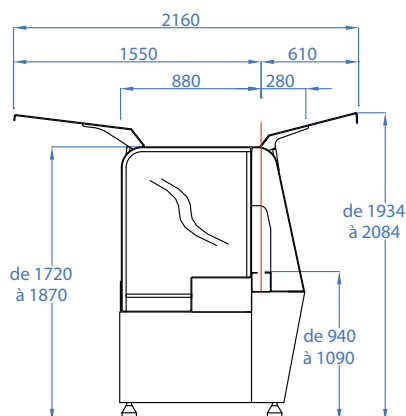
- Max. printing height 124mm.
- Max. printing length 298mm.
- Bar code printing .
- Delivered with PC driver (without computer, connection, cable and label creation software)

DESCRIPTIVE

- Label attachment on all types of cylindrical bottles (Ø 55 to 115 mm)
- Sparkling wine caps setting with electronic height adjustment.
- Possibility of adaptation with three supplementary label stations.
- Attachment heads on electronically controlled height adjustable stand.
- Labelling stop with fibre optics and automatic locking at label's exit.
- Automatic labelling stop at the end of label rolls.
- Bottle guiding and blocking in 8 point star during the whole work cycle.
- Bottle blocking during labelling through door mounted on pneumatic jack.
- Adjustment of label synchronization by control with digital display permitting memorization of adjustments relating to each bottle and label type (up to 100 programmes).
- Automatic bottle counter – reverse counter. Electronic speed variator.
- Attachment precision controlled by optic coder.
- Machine to install in packaging lines, mounted on 4 feet, integral stainless steel construction, in accordance with CRAM safety protection standards **CE**.
- Maximum label height up to 170 mm (220 mm on demand).
- Modular conception permitting addition of equipment & complementary options at any moment.

TECHNICAL CHARACTERISTICS

- Electric supply :
380 Volts three phase + Neutral + Earth
- Pneumatic supply : 5 M3 / H to 7 bars
(20 M3 / H with cap distributor)
- Weight : 480 kg



HOURLY PRODUCTION CAPACITY

- 1200 bottles/hour (with sparkling wine caps setting)
- 1800 bottles/hour (with roller capping).

TECHNICAL DATA FOR ADHESIVE LABEL MANUFACTURE

Labels & Back labels :

- Ø roll exterior : 300 mm
- Ø mandrel : 75 mm
- Interior rolling
- Front left side unrolling

Neck band :

- Ø roll exterior : 180 mm
- Ø mandrel : 75 mm
- Exterior rolling
- Front stand unrolling
- Central medallion non pasted

OPTIONAL EQUIPMENT

- Back label station
- Standard neck band label station
- Medallion label station
- Third label station
- Roller capping (TS8 Albagnac)
- Thermo-retractable capping
- Sparkling wine caps or caps distributor
- Slanting of machines for conical products
- Orientation of bottles with insignia
- Optic orientation
- Case lot number marking
- Transplanting of labels
- Bottle conveying
- Wheel mounted

Albagnac S. A. - Marty - 46140 Sauzet
Tél. + 33 (0)5 65 24 25 20 - Fax + 33 (0)5 65 24 25 10
e-mail : info@albagnac.com

S.A.S. au capital de 327 000 Euros - Siret 347 609 042 00010
 APE 292HR.C.S. Cahors 88 B 134 - N° FR 23 347 609 042

Your Agent :